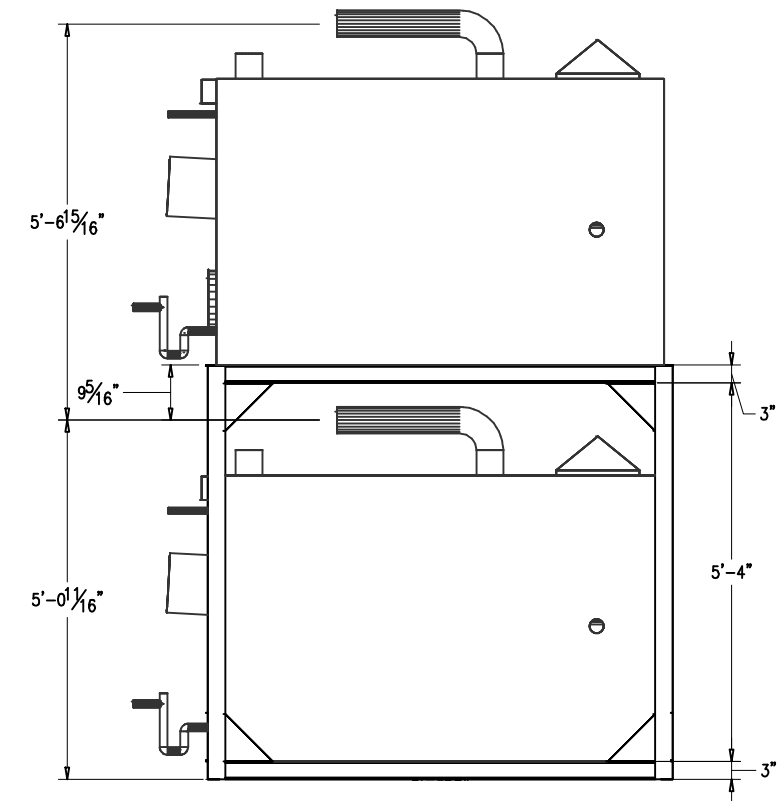
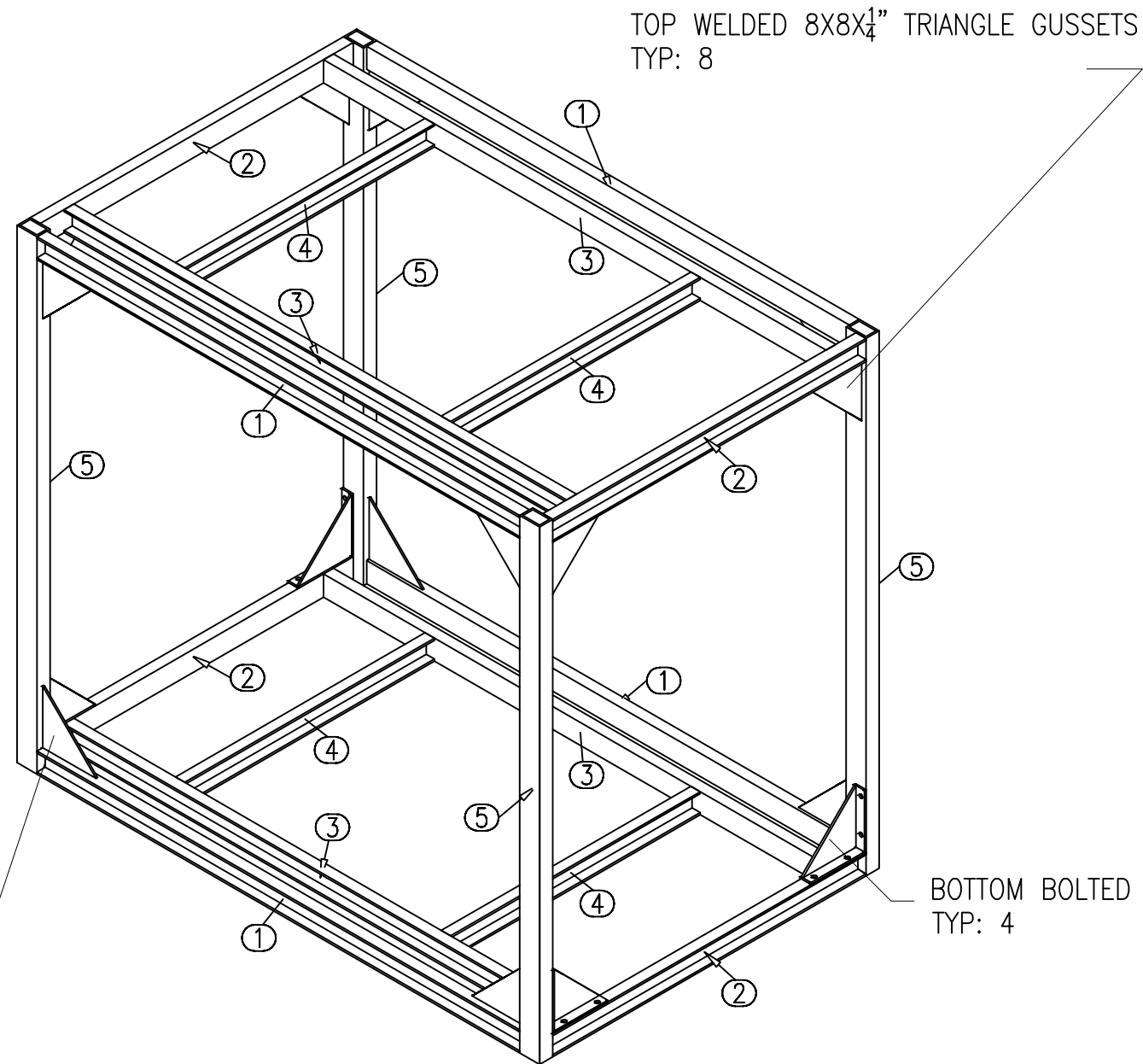
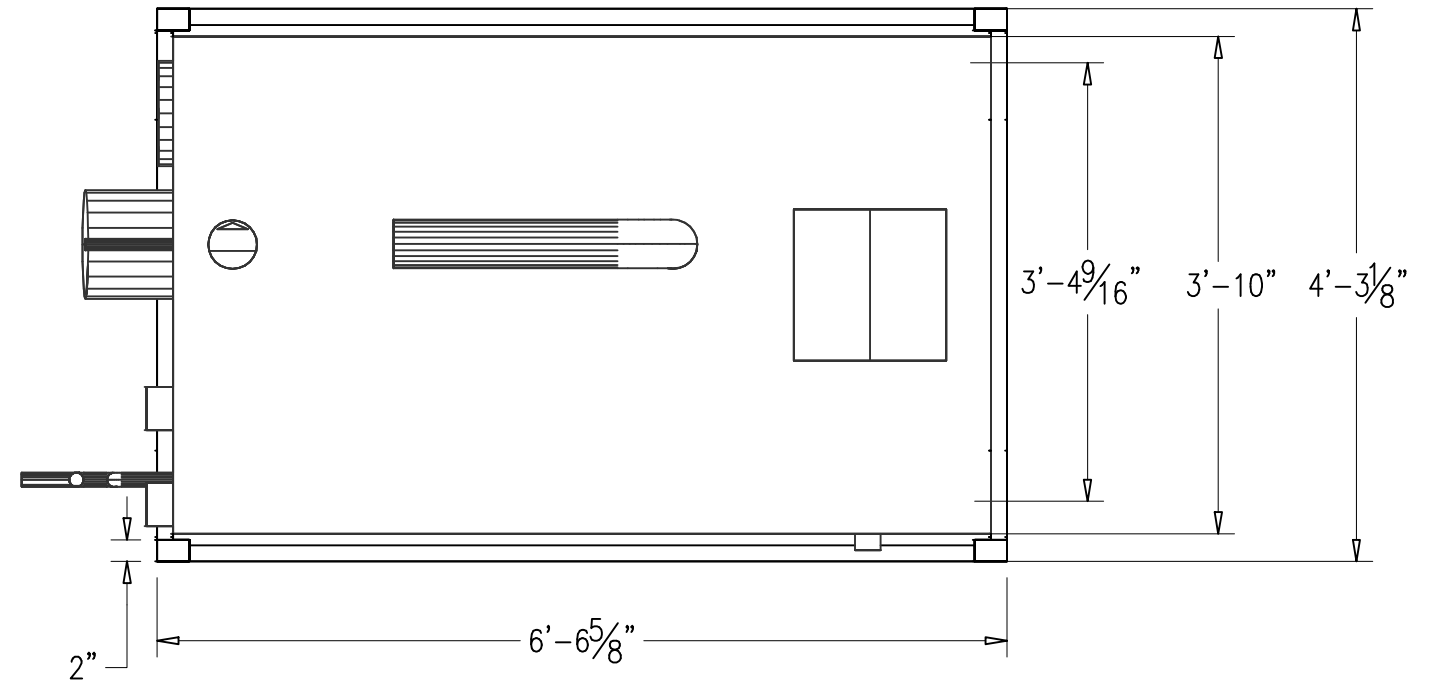


BILL OF MATERIALS

Item No	Qty	Length	Part Name	Cut Type	Service	Weight
1	4	6'-0 5/8"	CHANNEL C3X5			20.00
2	4	3'-11 1/8"	CHANNEL C3X5			20.00
3	4	6'-3 5/8"	CHANNEL C3X5			20.00
4	4	3'-1 1/2"	CHANNEL C3X4.1			16.40
5	4	5'-10"	TUBE SQUARE 3x2x1/4 BLK			91.47
	20					167.87



	PROJ NAME:	DATE DELIVERY TO SITE:
	TS SALES	SUPER:
		PHASE NUMBER:
		PROJ #:
		MODEL 2500-3000