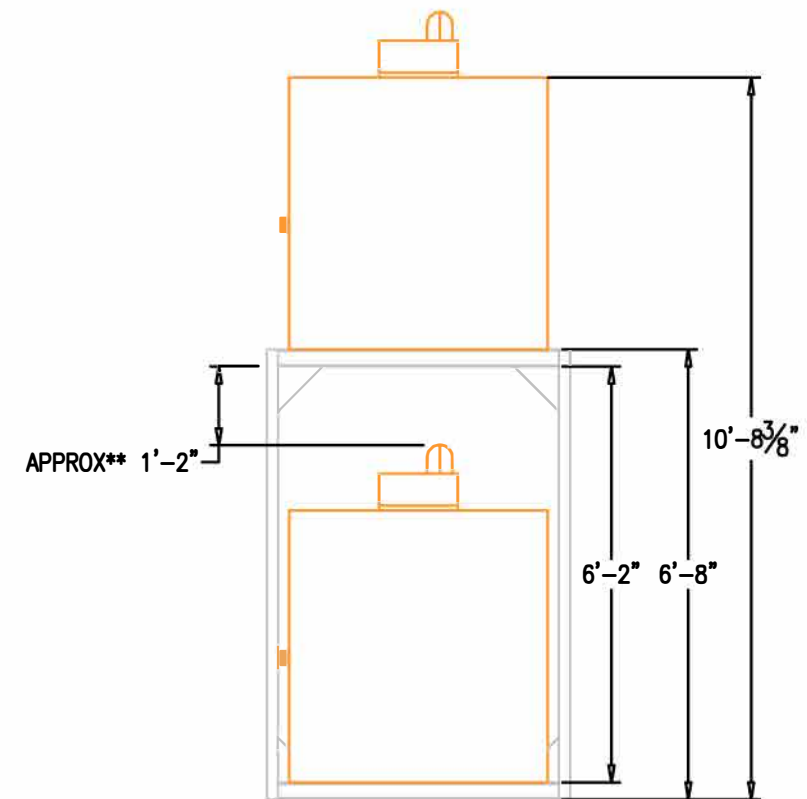
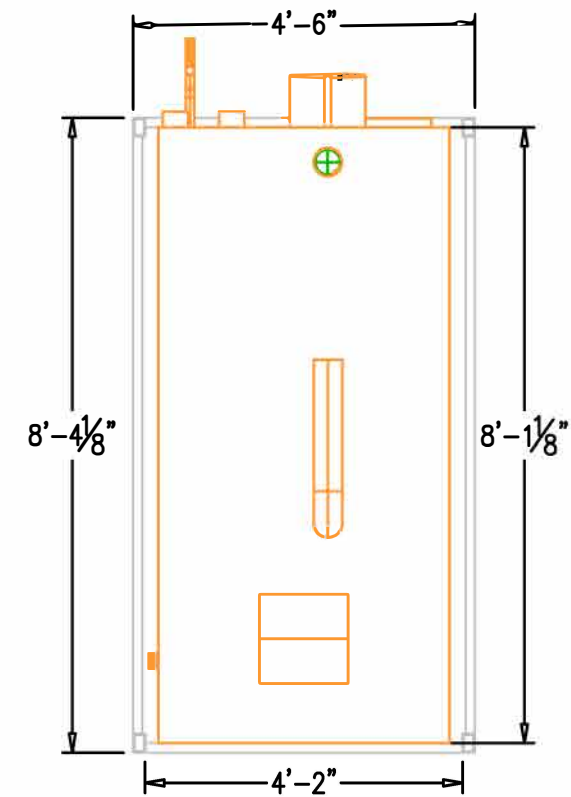


C3 X 5 CHANNEL  
 3 X 2 X 1/4 BOX TUBING  
 8 X 1/4 TRIANGLE GUSSETS  
 BOILER WEIGHT 2581 LBS. EACH



3500-4000 AMP  
 BOILER STACKABLE RACK