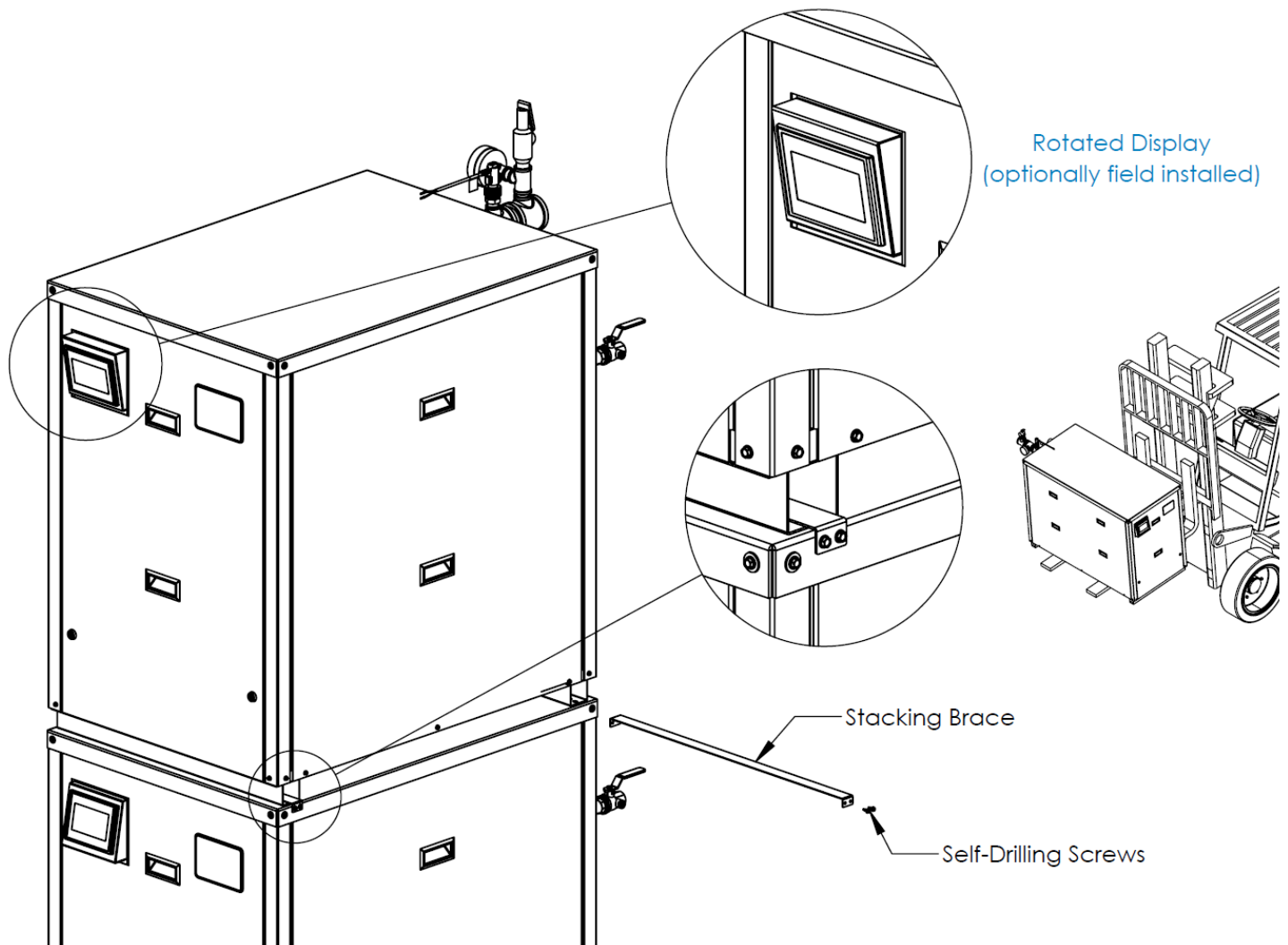


AMP CONDENSING PRODUCTS

STACKABLE DESIGN



Stacking Notes:

1. The 400-1000L models may be installed in a stacked configuration.
 - a. One 400 or 500 model can be mounted on the top of another 400 or 500 model.
 - b. One 650, 800, or 1000L model can be mounted on the top of another 650, 800, or 1000L model.
2. Lifting the appliance for stacking.
 - a. Lifting with a forklift: Place forks center of the base from the side.

⚠ DANGER

Failure to center the lifting forks under the base of the appliance could result in severe property damage or injury.

b. Lifting with a crane: Remove top panel to access the lifting lugs of the heat exchanger.

3. **Stacking brace kit (PN: 111405-01) is included with 400-1000L models.** The kit includes 2 braces and 8 self-drilling screws.

a. Follow all previous instructions for mounting the bottom appliance.

b. Use the included screws to secure the brace as shown in Figure 5.

4. **Outdoor BFIT models cannot be stacked.**

5. The display bracket on the top appliance can be rotated for a better viewing angle of the Concert display.

a. Remove the front panel and disconnect the wire harnesses going to the display and the On/Off switch.

b. Remove the 4 nuts holding the display bracket.

c. Unscrews the clamps holding the display onto the display bracket to rotate the display 180°.

d. Reinstall the display, reinstall the display bracket (Concert logo right side up), and connect the wire harnesses.

Refer to the most current product manual for more information.