

Features

- Direct mount lug butterfly valve with ISO5211 mount
- 3-layer epoxy coated ductile iron body with 316 SS disc
- Unique wave line seat reduces torque and extends seal life
- Visual valve position indicator
- Rugged aluminum Type 4X weatherproof actuator
- Heavy duty motors with overload protection
- Thermostatically controlled anti-condensation heater
- Manual override with end of travel mechanical stops
- Two auxiliary position confirmation limit switches
- EPS - Electronic Positioning System models available
- Actuators CSA Listed per UL429 and CSA C22.2

Applications

EPDM seals typically used for on-off control of water and other compatible media. NBR (Buna-N) seals typically used for air, oil, vacuum and other compatible media. FPM (Viton) seals typically used for on-off control of hydrocarbons, oils and other compatible chemicals/media. Suitable for use with ANSI/ASME Class 125/150 pipe flanges. Actuators designed for 70% duty cycle.

Operation

On-Off electric actuated valve uses power-to-open and power-to-close, stays in the last known position with loss of power. On receipt of a continuous voltage signal, the motor runs and via a rugged all metal gear system rotates the ball 90°. The motor is automatically stopped by internal cams striking limit switches. On receipt of a reversing continuous signal, the motor turns in the opposite direction reversing the valve position. Power connections direct to terminal strip via included cable connector, or optional 1/2" NPT conduit adapters.

Construction

Valve Body	3-layer Epoxy/Epoxy/PUR coated ductile iron
Disc	316 stainless steel CF8M
Disc Seat/Liner	EPDM, NBR (Buna-N) or FPM (Viton)
Stem/Stem Seals	420 stainless steel / (2) v-ring, same material as seat
Gear Drive	Heavy duty alloy steel and aluminum bronze, self locking
Actuator Enclosure	Aluminum, polyester powder painted, Type 4X, IP67
Visual Valve Position Indicator	Clear polycarbonate window, ,red/yellow open-closed
Fasteners	Stainless Steel
Auxiliary Limit Switches	2 x SPDT (125VAC/5A)



Description

Electric operated direct mount butterfly valves with epoxy-coated ductile iron lug body are designed for commercial and industrial applications. Valve mounts between two standard ANSI/ASME Class 150 flanges and includes integral molded flange gaskets. Disc is precision machined 316SS. Two piece stem and disc design enhances the flow capacity and reduces turbulence. Rugged corrosion resistant electric actuator includes a manual override, valve position confirmation switches, thermostatically controlled anti-condensation heater, and over-torque protection.

Approvals

Actuators

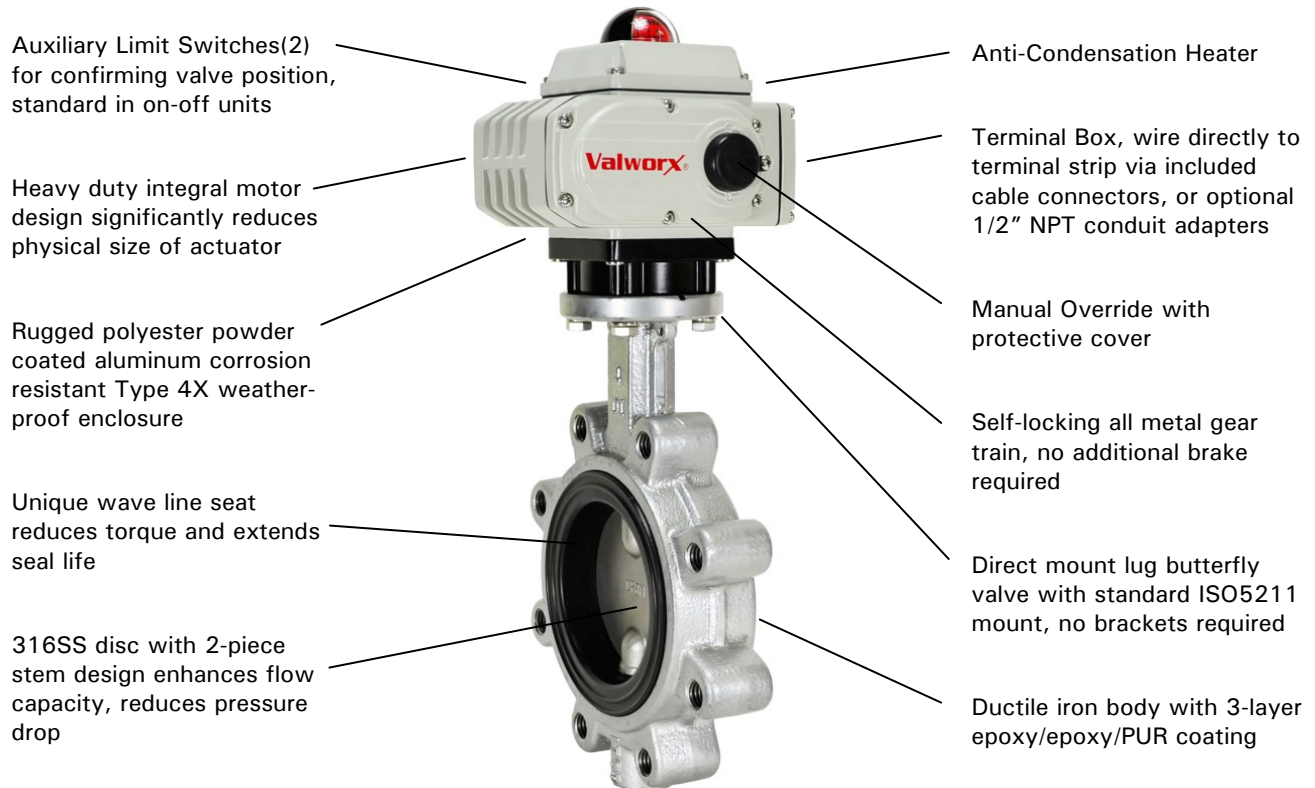
- CSA Listed to:
 - UL429 and CSA C22.2 no 139
 - Type 4X, IP67 weatherproof enclosure
- CE conformance
 - ISO5211 Mounting

Valves

- Design complies with API-609, MSS SP-67
- Tests per API-598, AWWA C502-87
- CE according to PED 97/23/EC, ISO5208



Construction Features



Visual Valve
Position Indicator

Pressure Rating

Pressure Rating: 230 PSI (16 Bar), Vacuum 29in Hg

Temperature Rating

Actuator Temperature Rating: -22 to + 140° F (-30 to 60° C)

Valve Temperature Rating: EPDM seals 0 to 248° F (-18 to 120°C)

NBR (Buna-N) seals 5 to 185° F (-15 to 85°C)

FPM (Viton) seals 5 to 338° F (-15 to 170°C)



Electric Actuated Butterfly Valves

Ductile Iron Lug Body ASME 150#
2 to 6 inch Pipe On-Off Models

SERIES
5673

Specifications (English units)

Stock Number	Pipe Size (inch)	Orifice Size (inch)	Cv Flow Factor	Pressure Max. (PSI)	Cycle Time/90° (seconds)	Voltage	Current (amps)	Duty Cycle	Electrical Dwg.
120 VAC ELECTRIC ACTUATED LUG BODY BUTTERFLY VALVE, EPDM SEALS									
567302A	2	2.00	124	230	20/17	110 VAC, 50/60Hz	0.27	70%	B
567303A	2-1/2	2.50	247	230	20/17	110 VAC, 50/60Hz	0.27	70%	B
567304A	3	3.00	470	230	20/17	110 VAC, 50/60Hz	0.27	70%	B
567305A	4	4.00	929	230	20/17	110 VAC, 50/60Hz	0.27	70%	B
567307A	6	6.00	2243	230	30/25	110 VAC, 50/60Hz	0.73	70%	B
24 VDC ELECTRIC ACTUATED LUG BODY BUTTERFLY VALVE, EPDM SEALS									
567327A	2	2.00	124	230	20	DC24	1.28	70%	G
567328A	2-1/2	2.50	247	230	20	DC24	1.28	70%	G
567329A	3	3.00	470	230	20	DC24	1.28	70%	G
567330A	4	4.00	929	230	20	DC24	1.28	70%	G
567332A	6	6.00	2243	230	30	DC24	3.57	70%	G
120 VAC ELECTRIC ACTUATED LUG BODY BUTTERFLY VALVE, NBR (BUNA-N) SEALS									
567336A	2	2.00	124	230	20/17	110 VAC, 50/60Hz	0.27	70%	B
567337A	2-1/2	2.50	247	230	20/17	110 VAC, 50/60Hz	0.27	70%	B
567338A	3	3.00	470	230	20/17	110 VAC, 50/60Hz	0.27	70%	B
567339A	4	4.00	929	230	20/17	110 VAC, 50/60Hz	0.27	70%	B
567341A	6	6.00	2243	230	30/25	110 VAC, 50/60Hz	0.73	70%	B
24 VDC ELECTRIC ACTUATED LUG BODY BUTTERFLY VALVE, NBR (BUNA-N) SEALS									
567346A	2	2.00	124	230	20	DC24	1.28	70%	G
567347A	2-1/2	2.50	247	230	20	DC24	1.28	70%	G
567348A	3	3.00	470	230	20	DC24	1.28	70%	G
567349A	4	4.00	929	230	20	DC24	1.28	70%	G
567350A	6	6.00	2243	230	30	DC24	3.57	70%	G
120 VAC ELECTRIC ACTUATED LUG BODY BUTTERFLY VALVE, FKM (Viton) SEALS									
567364A	2	2.00	124	230	20/17	110 VAC, 50/60Hz	0.27	70%	B
567365A	2-1/2	2.50	247	230	20/17	110 VAC, 50/60Hz	0.27	70%	B
567366A	3	3.00	470	230	20/17	110 VAC, 50/60Hz	0.27	70%	B
567367A	4	4.00	929	230	20/17	110 VAC, 50/60Hz	0.27	70%	B
567369A	6	6.00	2243	230	30/25	110 VAC, 50/60Hz	0.73	70%	B
24 VDC ELECTRIC ACTUATED LUG BODY BUTTERFLY VALVE, FKM (Viton) SEALS									
567373A	2	2.00	124	230	20	DC24	1.28	70%	G
567374A	2-1/2	2.50	247	230	20	DC24	1.28	70%	G
567375A	3	3.00	470	230	20	DC24	1.28	70%	G
567376A	4	4.00	929	230	20	DC24	1.28	70%	G
567378A	6	6.00	2243	230	30	DC24	3.57	70%	G



Electric Actuated Butterfly Valves

Ductile Iron Lug Body ASME 150# Specifications

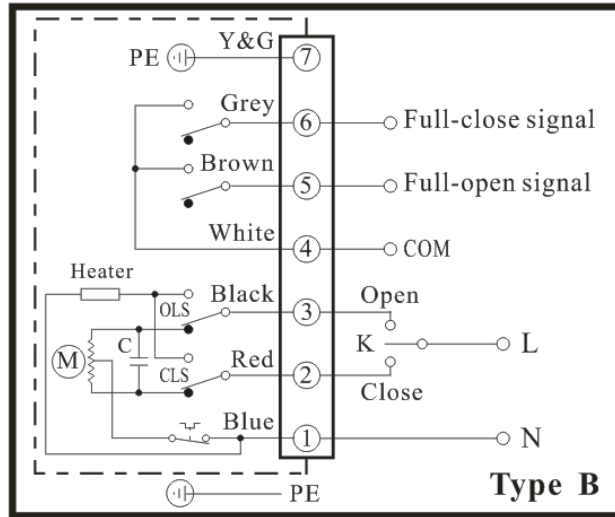
SERIES
5673

Specifications (Metric units)

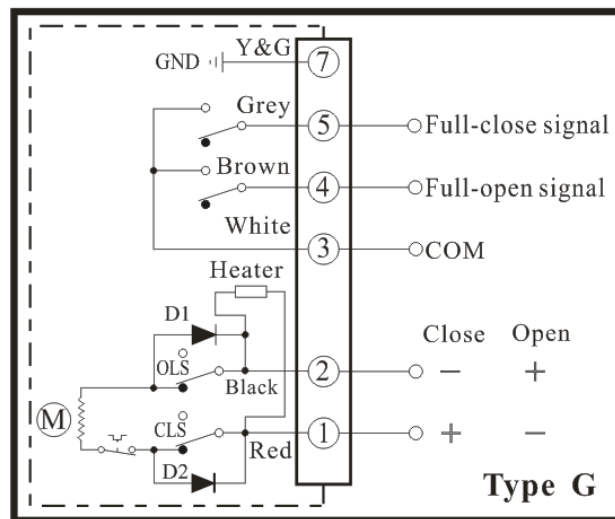
Stock Number	Pipe Size (inch)	Orifice Size (mm)	Kv Flow Factor	Pressure Max. (Bar)	Cycle Time/90° (seconds)	Voltage	Current (amps)	Duty Cycle	Electrical Dwg.
120 VAC ELECTRIC ACTUATED LUG BODY BUTTERFLY VALVE, EPDM SEALS									
567302A	2	50	107	16	20/17	110 VAC, 50/60Hz	0.27	70%	B
567303A	2-1/2	65	212	16	20/17	110 VAC, 50/60Hz	0.27	70%	B
567304A	3	80	404	16	20/17	110 VAC, 50/60Hz	0.27	70%	B
567305A	4	100	799	16	20/17	110 VAC, 50/60Hz	0.27	70%	B
567307A	6	150	1929	16	30/25	110 VAC, 50/60Hz	0.73	70%	B
24 VDC ELECTRIC ACTUATED LUG BODY BUTTERFLY VALVE, EPDM SEALS									
567327A	2	50	107	16	20	DC24	1.28	70%	G
567328A	2-1/2	65	212	16	20	DC24	1.28	70%	G
567329A	3	80	404	16	20	DC24	1.28	70%	G
567330A	4	100	799	16	20	DC24	1.28	70%	G
567332A	6	150	1929	16	30	DC24	3.57	70%	G
120 VAC ELECTRIC ACTUATED LUG BODY BUTTERFLY VALVE, NBR (BUNA-N) SEALS									
567336A	2	50	107	16	20/17	110 VAC, 50/60Hz	0.27	70%	B
567337A	2-1/2	65	212	16	20/17	110 VAC, 50/60Hz	0.27	70%	B
567338A	3	80	404	16	20/17	110 VAC, 50/60Hz	0.27	70%	B
567339A	4	100	799	16	20/17	110 VAC, 50/60Hz	0.27	70%	B
567341A	6	150	1929	16	30/25	110 VAC, 50/60Hz	0.73	70%	B
24 VDC ELECTRIC ACTUATED LUG BODY BUTTERFLY VALVE, NBR (BUNA-N) SEALS									
567346A	2	50	107	16	20	DC24	1.28	70%	G
567347A	2-1/2	65	212	16	20	DC24	1.28	70%	G
567348A	3	80	404	16	20	DC24	1.28	70%	G
567349A	4	100	799	16	20	DC24	1.28	70%	G
567350A	6	150	1929	16	30	DC24	3.57	70%	G
120 VAC ELECTRIC ACTUATED LUG BODY BUTTERFLY VALVE, FKM (Viton) SEALS									
567364A	2	50	107	16	20/17	110 VAC, 50/60Hz	0.27	70%	B
567365A	2-1/2	65	212	16	20/17	110 VAC, 50/60Hz	0.27	70%	B
567366A	3	80	404	16	20/17	110 VAC, 50/60Hz	0.27	70%	B
567367A	4	100	799	16	20/17	110 VAC, 50/60Hz	0.27	70%	B
567369A	6	150	1929	16	30/25	110 VAC, 50/60Hz	0.73	70%	B
24 VDC ELECTRIC ACTUATED LUG BODY BUTTERFLY VALVE, FKM (Viton) SEALS									
567373A	2	50	107	16	20	DC24	1.28	70%	G
567374A	2-1/2	65	212	16	20	DC24	1.28	70%	G
567375A	3	80	404	16	20	DC24	1.28	70%	G
567376A	4	100	799	16	20	DC24	1.28	70%	G
567378A	6	150	1929	16	30	DC24	3.57	70%	G

Electrical Wiring

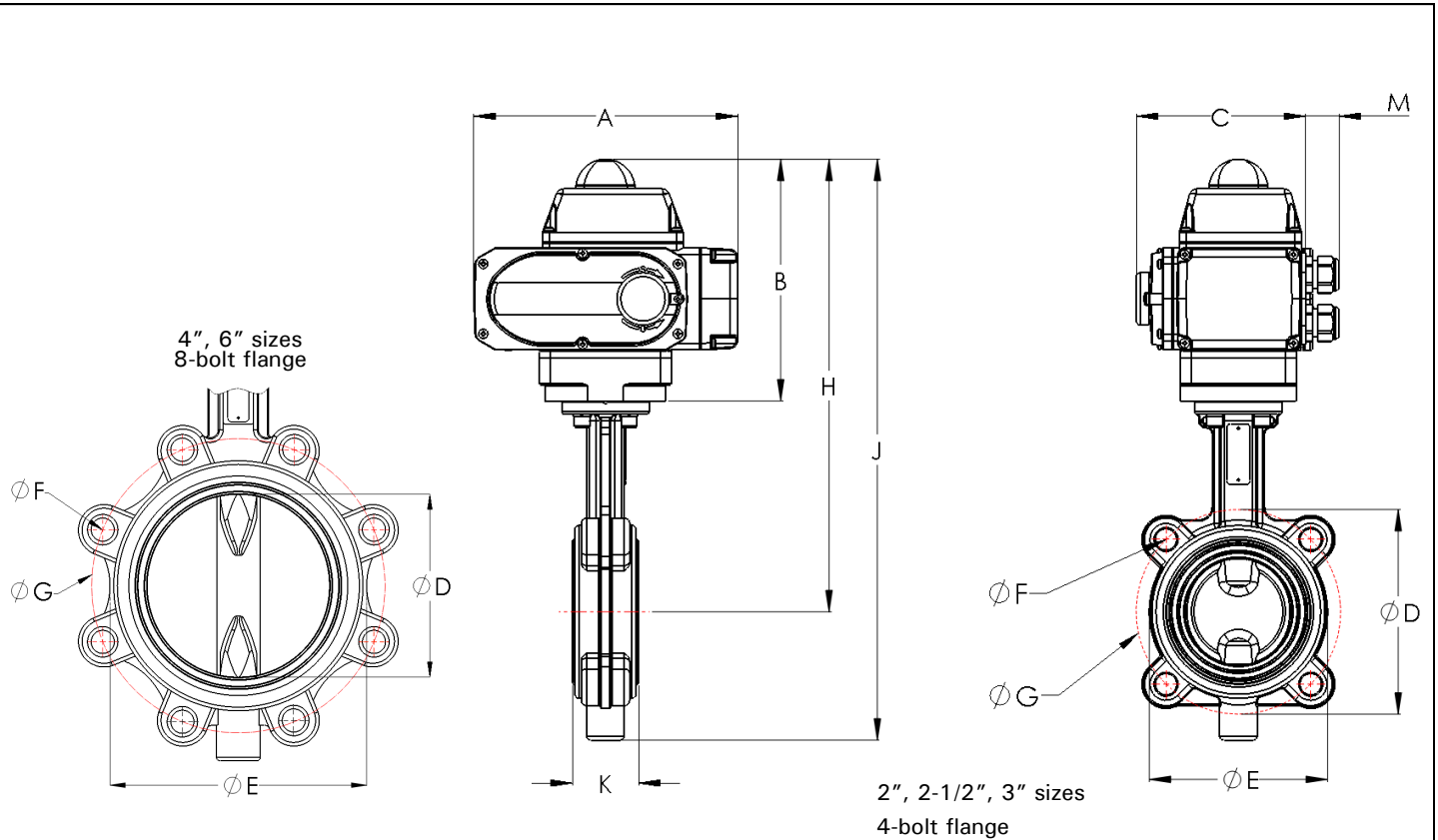
AC Voltages



DC Voltages



Dimensions:



Suitable between flanges:

- ◆ ANSI/ASME B16.5 CLASS150
- ◆ ANSI/ASME B16.1 CLASS125

Pipe Size		A	B	C	D	E	F	G	H	J	K	M	ISO	Weight (AC/DC)
2	inch	6.34	7.09	4.65	1.97	3.74	4) 5/8-11	4.74	12.05	15.04	1.81	0.98	F05	12.7 / 13.3 lb
	mm	161	180	118	50	95	—	120.5	306	382	46	25		5.8 / 6.0 kg
2-1/2	inch	6.34	7.09	4.65	2.56	4.13	4) 5/8-11	5.50	12.36	15.59	1.93	0.98	F05	14.5 / 15.0 lb
	mm	161	180	118	65	105	—	139.7	314	396	49	25		6.6 / 6.8 kg
3	inch	6.34	7.09	4.65	3.15	4.72	4) 5/8-11	6.00	13.27	17.03	1.93	0.98	F05	17.3 / 17.8 lb
	mm	161	180	118	80	120	—	152.4	337	432.5	49	25		7.8 / 8.1 kg
4	inch	6.34	7.09	4.65	3.94	5.79	8) 5/8-11	7.50	11.97	16.46	2.20	0.98	F05/F07	22.1 / 22.6 lb
	mm	161	180	118	100	147	—	190.5	304	418	56	25		10.0 / 10.3 kg
6	inch	10.08	8.50	6.30	5.91	8.07	8) 3/4-10	9.50	16.50	22.24	2.32	0.98	F07	50.0 / 51.0 lb
	mm	256	216	160	150	205	—	241.3	419	565	59	25		22.7 / 23.1 kg