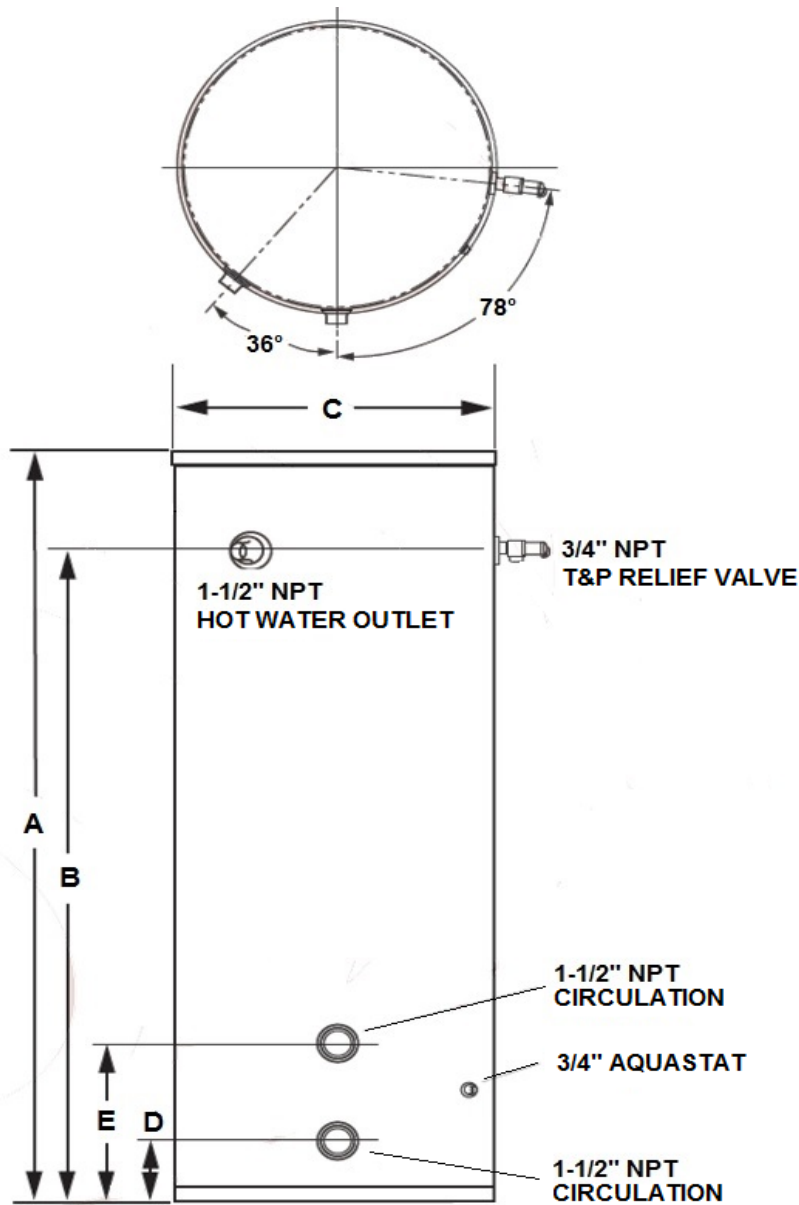




Small Volume Hot Water Storage Tanks Tank Model TSV80-J-S



TECHNICAL DATA	
CAPACITY:	80 Gallon
CONFIGURATION:	Vertical
INTERIOR (LINING):	Stainless Steel
EXTERIOR:	Polyethylene Jacket with 2" Insulation
DESIGN PRESSURE:	150 psi
DESIGN BUILD:	Non-ASME Stainless Steel
WEIGHT:	129 lbs

DIMENSIONS		
ID	DESCRIPITON	DIMENSION
A	Height, Overall	72"
B	T&P / Hot Output Conn. To Floor	64-3/4"
C	Diameter	23-1/4"
D	Circulation, Bottom Conn. To Floor	16"
E	Circulation, Top Conn. To Floor	6"

SUBMITTAL	
JOB NAME:	_____
LOCATION:	_____
ENGINEER:	_____
WHOLESALE:	_____
CONTRACTOR:	_____
DATE:	_____

Notes:

- 1) Tank information is subject to change without notice.
- 2) Tank options not available.