

Large Volume Hot Water Storage Tanks

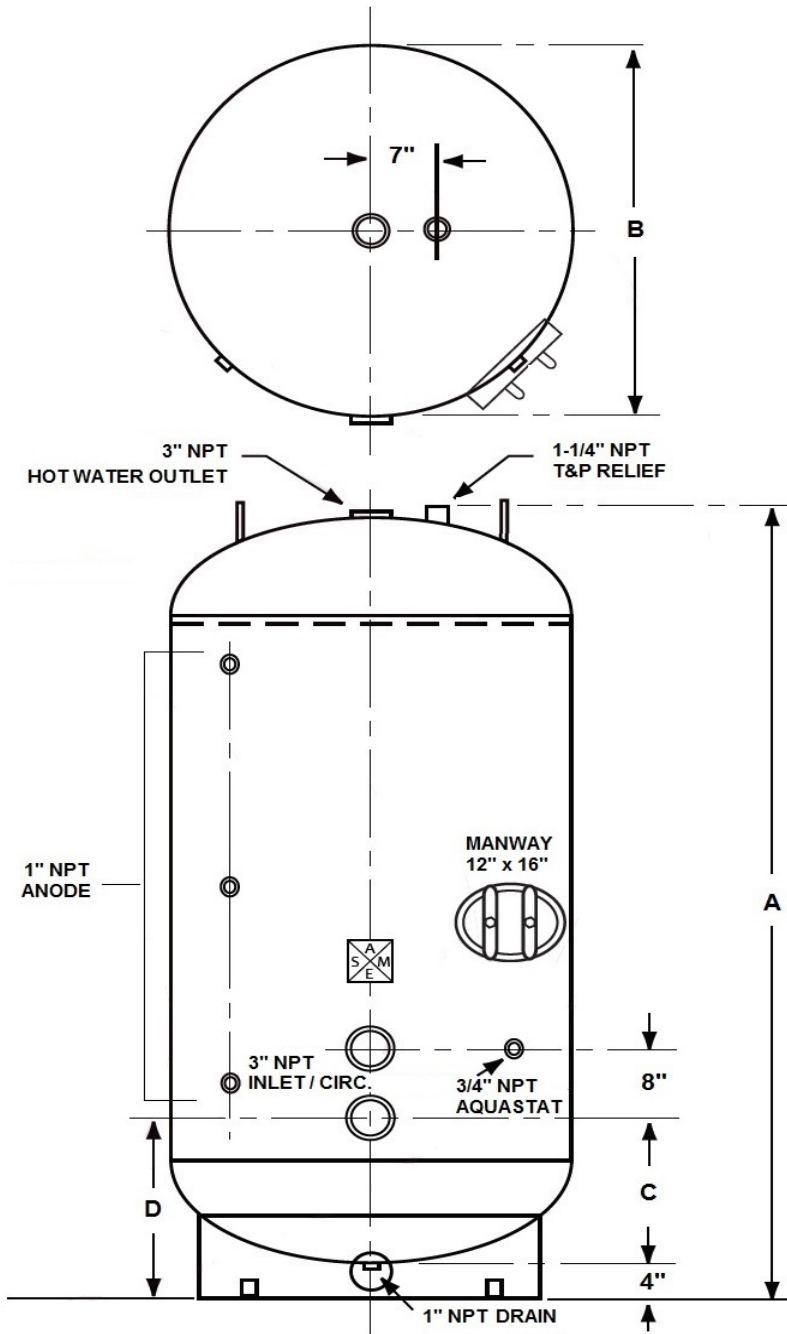
Tank Model TSV765-B*

| TECHNICAL DATA | |
|---------------------------|----------------------------------|
| CAPACITY: | 765 Gallon |
| CONFIGURATION: | Vertical |
| INTERIOR (LINING): | *Glass or Epoxy |
| EXTERIOR: | Red Oxide Primer |
| DESIGN PRESSURE: | 125 psi |
| DESIGN BUILD: | ASME Section IV HLW Carbon Steel |
| WEIGHT: | 1435 lbs |

* 1 = 10 Mils Glass Thickness; 2 = 20 Mils Glass Thickness; E = Epoxy

| DIMENSIONS | | |
|------------|------------------------------------|-----------|
| ID | DESCRIPITON | DIMENSION |
| A | Height, Overall | 112" |
| B | Diameter | 48" |
| C | Circ., Bottom Conn. To Tank Bottom | 18" |
| D | Circulation, Bottom Conn. To Floor | 22" |

| SUBMITTAL | |
|--------------------|-------|
| JOB NAME: | ----- |
| LOCATION: | ----- |
| ENGINEER: | ----- |
| WHOLESALE: | ----- |
| CONTRACTOR: | ----- |
| DATE: | ----- |



- Notes:
- 1) Tank information is subject to change without notice.
 - 2) Tank options are available; Consult Factory.