

## Large Volume Hot Water Storage Tanks

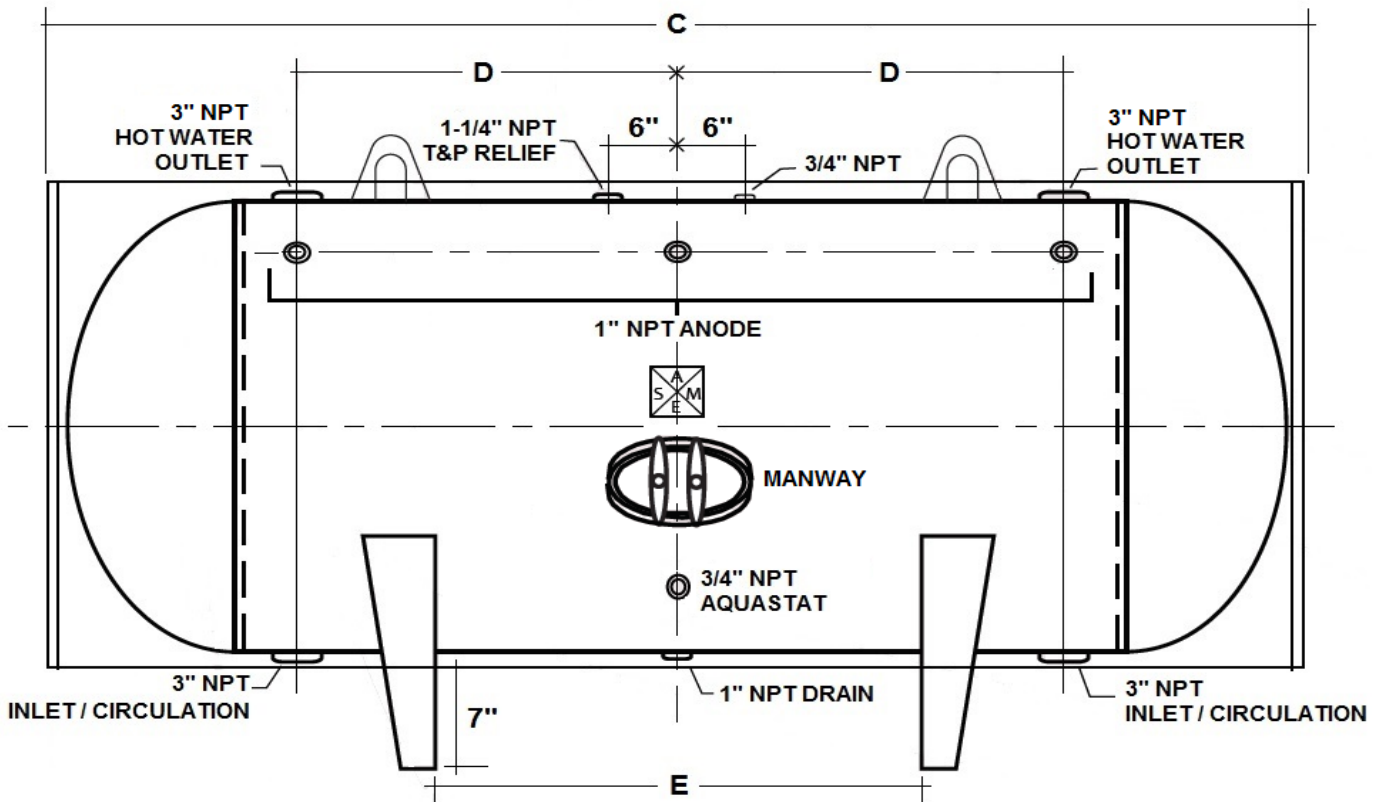
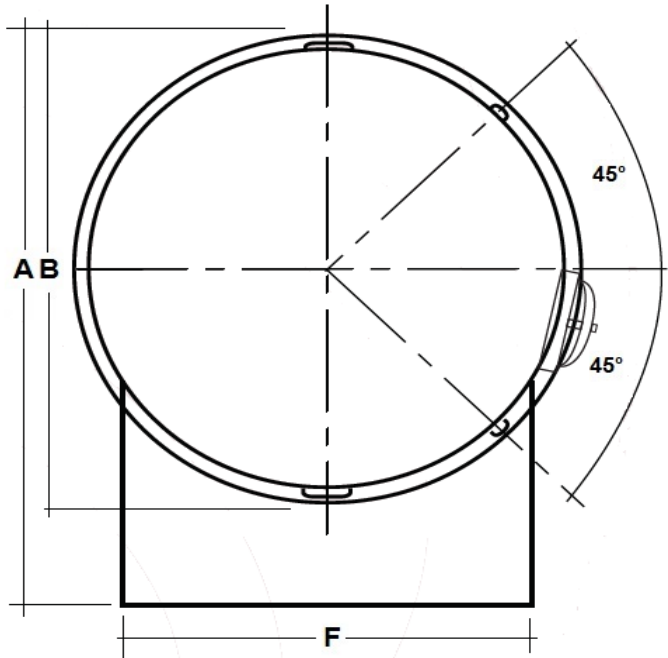
### Tank Model TSH575-J\*

| TECHNICAL DATA            |                                  |
|---------------------------|----------------------------------|
| <b>CAPACITY:</b>          | 575 Gallon                       |
| <b>CONFIGURATION:</b>     | Horizontal                       |
| <b>INTERIOR (LINING):</b> | *Glass or Epoxy                  |
| <b>EXTERIOR:</b>          | Steel Jacket with 2" Insulation  |
| <b>DESIGN PRESSURE:</b>   | 125 psi                          |
| <b>DESIGN BUILD:</b>      | ASME Section IV HLW Carbon Steel |
| <b>WEIGHT:</b>            | 1265 lbs                         |

\* 1 = 10 Mils Glass Thickness; 2 = 20 Mils Glass Thickness; E = Epoxy

| DIMENSIONS |                                       |           |
|------------|---------------------------------------|-----------|
| ID         | DESCRIPITON                           | DIMENSION |
| A          | Height, Overall                       | 53"       |
| B          | Diameter                              | 46"       |
| C          | Length, Overall                       | 109"      |
| D          | Circulation, Conn. To Tank Centerline | 36"       |
| E          | Saddle Support, Distance Between      | 48"       |
| F          | Saddle Support, Width                 | 36-3/4"   |

| SUBMITTAL          |  |
|--------------------|--|
| <b>JOB NAME:</b>   |  |
| <b>LOCATION:</b>   |  |
| <b>ENGINEER:</b>   |  |
| <b>WHOLESALER:</b> |  |
| <b>CONTRACTOR:</b> |  |
| <b>DATE:</b>       |  |



**Notes:**

- 1) Tank information is subject to change without notice.
- 2) Tank options are available; Consult Factory.