

Large Volume Hot Water Storage Tanks

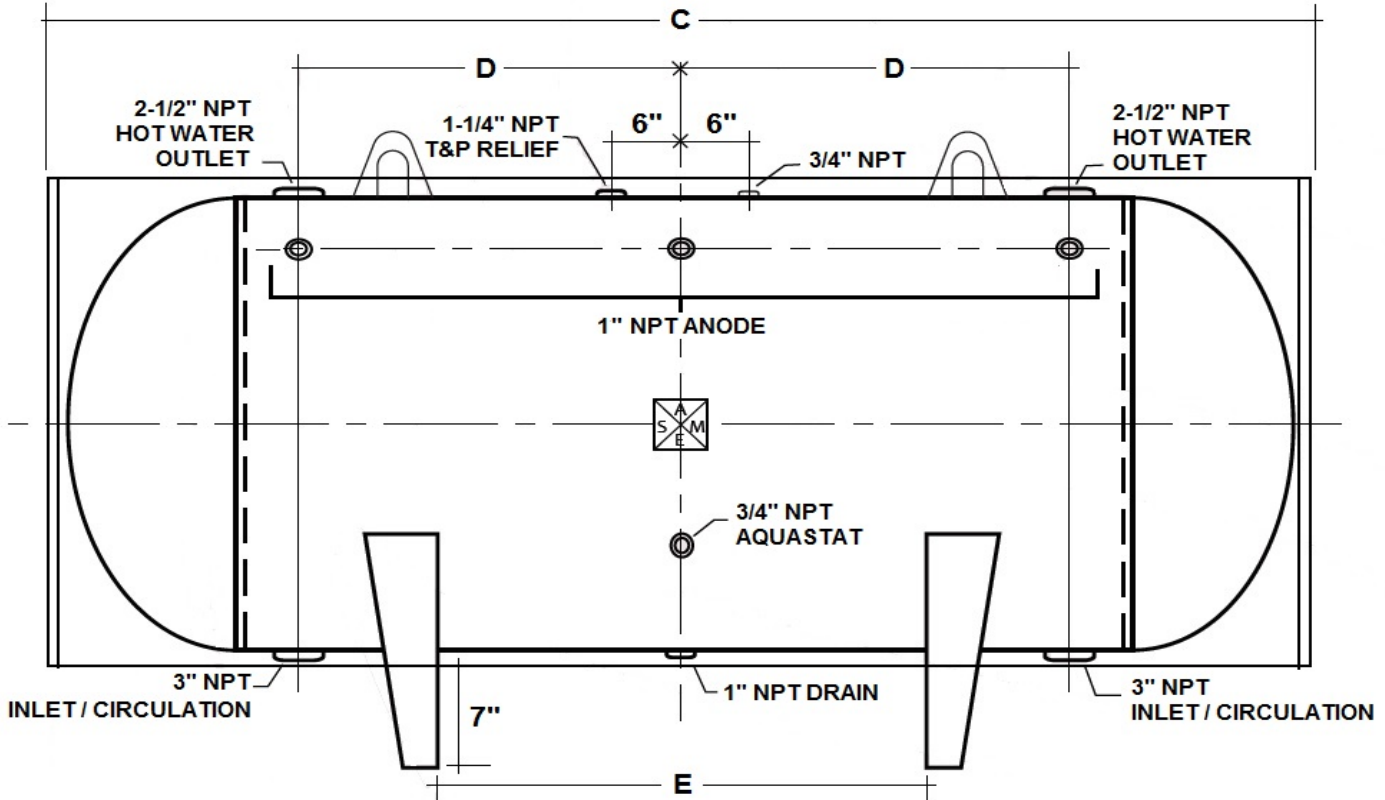
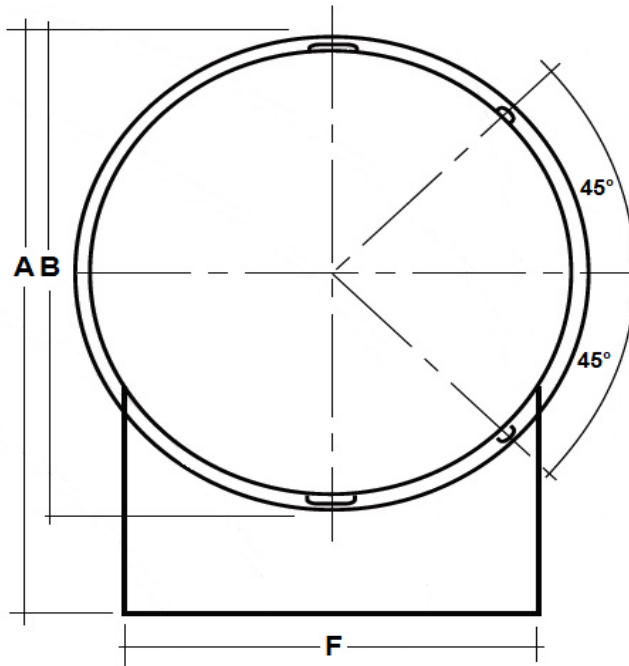
Tank Model TSH320-J*

TECHNICAL DATA	
CAPACITY:	320 Gallon
CONFIGURATION:	Horizontal
INTERIOR (LINING):	*Glass or Epoxy
EXTERIOR:	Steel Jacket with 2" Insulation
DESIGN PRESSURE	125 psi
DESIGN BUILD:	ASME Section IV HLW Carbon Steel
WEIGHT:	775 lbs

* 1 = 10 Mils Glass Thickness; 2 = 20 Mils Glass Thickness; E = Epoxy

DIMENSIONS		
ID	DESCRIPITON	DIMENSION
A	Height, Overall	41"
B	Diameter	34"
C	Length, Overall	115"
D	Circulation, Conn. To Tank Centerline	42"
E	Saddle Support, Distance Between	60"
F	Saddle Support, Width	26-3/8"

SUBMITTAL	
JOB NAME:	
LOCATION:	
ENGINEER:	
WHOLESALE:	
CONTRACTOR:	
DATE:	



Notes:

- 1) Tank information is subject to change without notice.
- 2) Tank options are available; Consult Factory.