



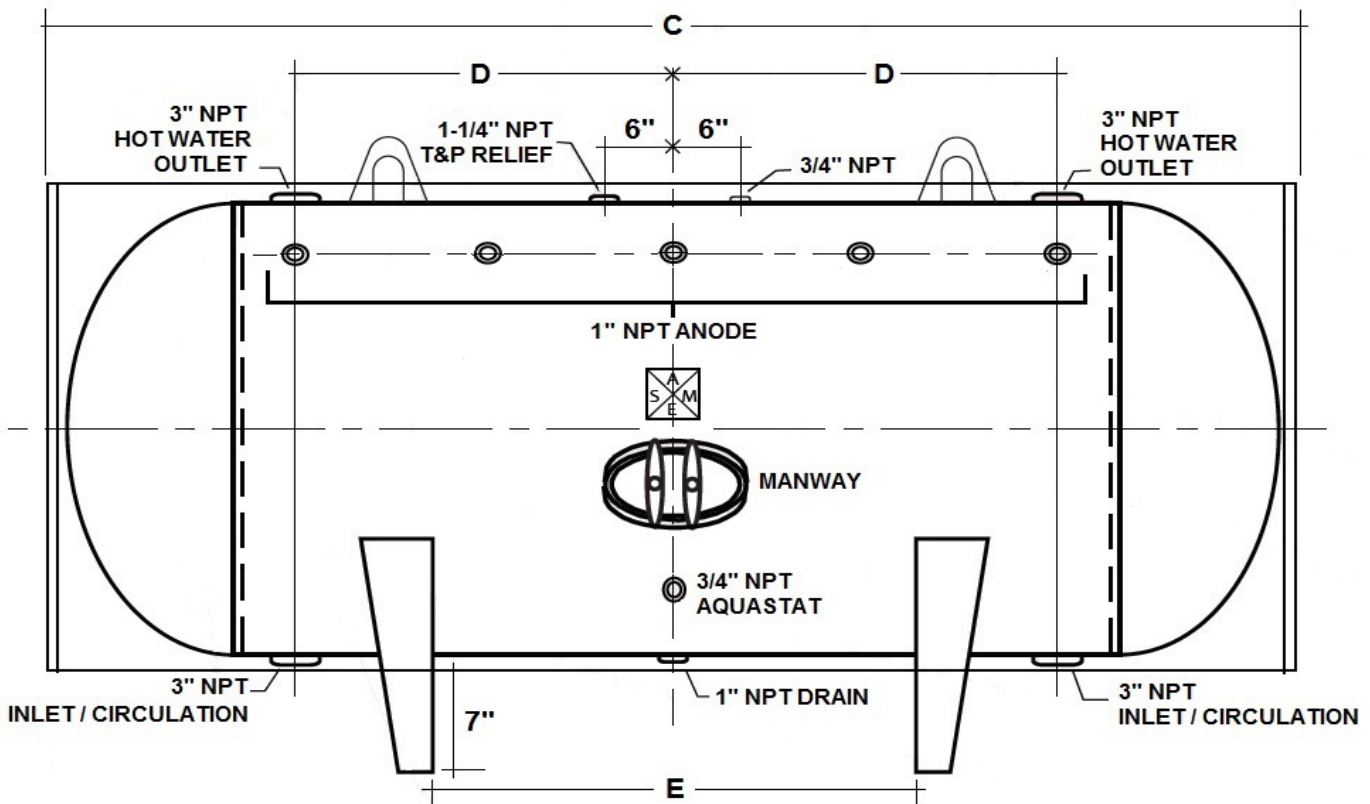
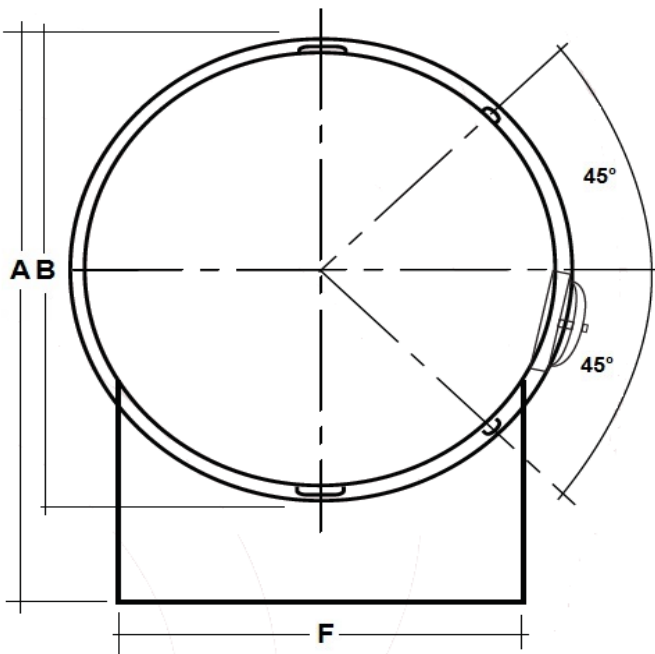
Large Volume Hot Water Storage Tanks Tank Model TSH2001-J*

| TECHNICAL DATA | |
|---------------------------|----------------------------------|
| CAPACITY: | 2000 Gallon |
| CONFIGURATION: | Horizontal |
| INTERIOR (LINING): | *Glass or Epoxy |
| EXTERIOR: | Steel Jacket with 2" Insulation |
| DESIGN PRESSURE | 125 psi |
| DESIGN BUILD: | ASME Section IV HLW Carbon Steel |
| WEIGHT: | 4950 lbs |

* 1 = 10 Mils Glass Thickness; 2 = 20 Mils Glass Thickness; E = Epoxy

| DIMENSIONS | | |
|------------|---------------------------------------|-----------|
| ID | DESCRIPTION | DIMENSION |
| A | Height, Overall | 83" |
| B | Diameter | 76" |
| C | Length, Overall | 138" |
| D | Circulation, Conn. To Tank Centerline | TBD |
| E | Saddle Support, Distance Between | TBD |
| F | Saddle Support, Width | TBD |

| SUBMITTAL | |
|--------------------|--|
| JOB NAME: | |
| LOCATION: | |
| ENGINEER: | |
| WHOLESALER: | |
| CONTRACTOR: | |
| DATE: | |



- Notes:
- 1) Tank information is subject to change without notice.
 - 2) Tank options are available; Consult Factory.