

Submittal Data

PROJECT:	UNIT TAG:	QUANTITY:
REPRESENTATIVE: _____	TYPE OF SERVICE:	DATE: _____
ENGINEER:	SUBMITTED BY:	DATE:
CONTRACTOR:	APPROVED BY:	DATE:
	ORDER NO.:	DATE:

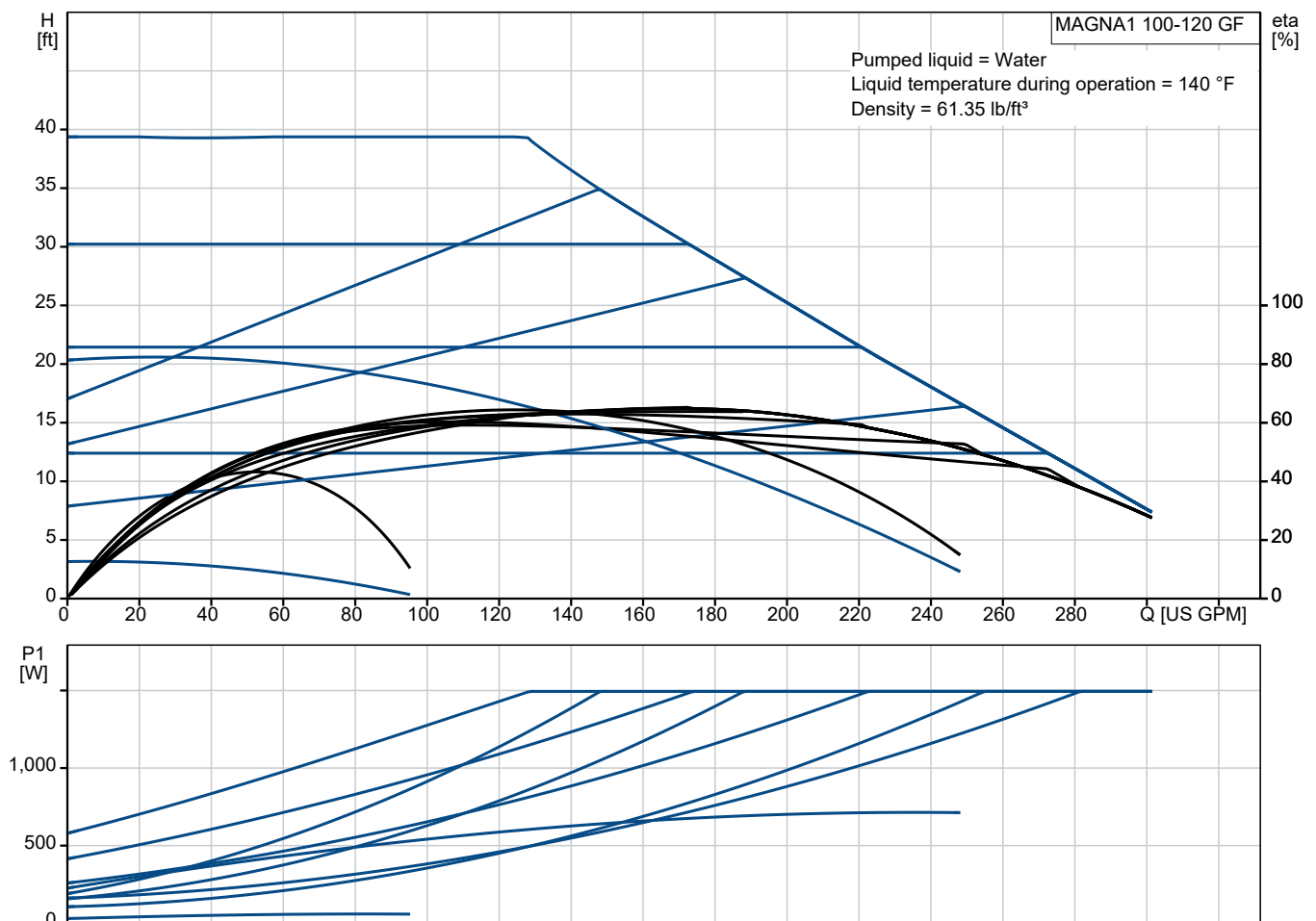
MAGNA1 100-120 GF



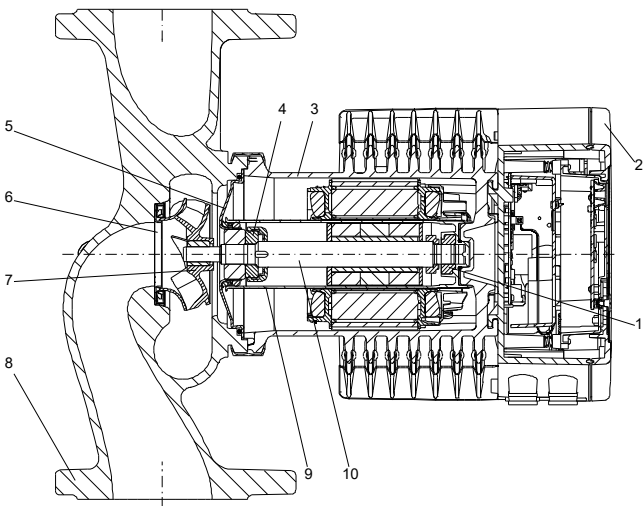
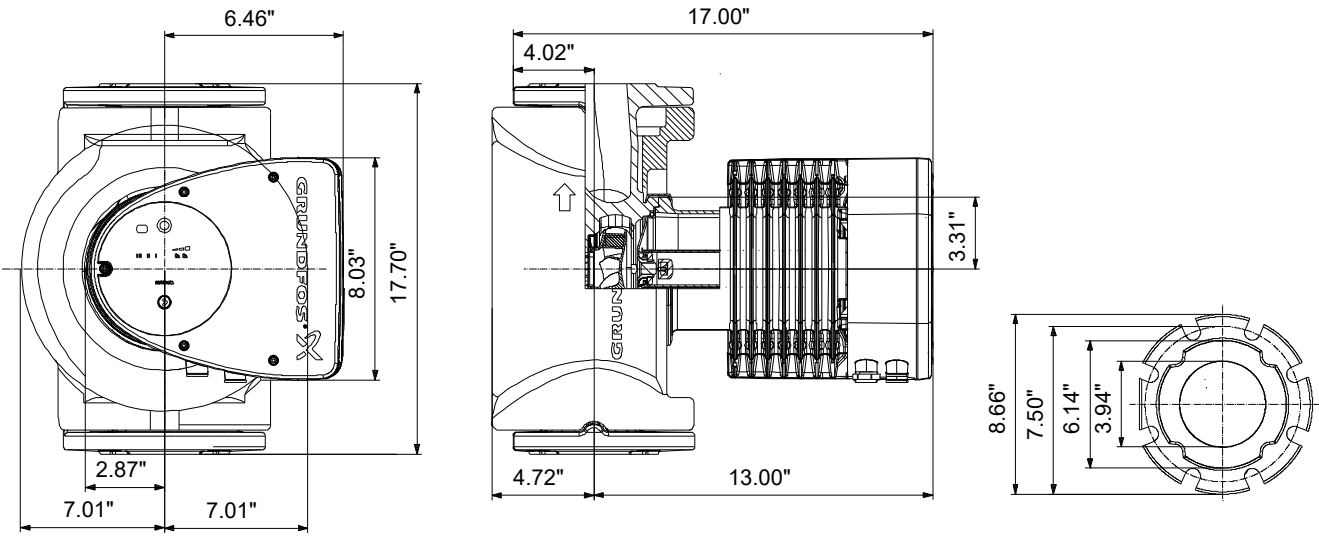
The Grundfos MAGNA1 circulator pump is ideal for basic performance needs in heating and cooling applications.

Note! Product picture may differ from actual product

Conditions of Service	Pump Data	Motor Data
Liquid: Water	Liquid temperature range: 14 .. 230 °F	Mains frequency: 60 Hz
Temperature: 140 °F	Maximum ambient temperature: 104 °F	Enclosure class: X4D
Specific Gravity: 0.985	Flange standard: GF	
	Pipe connection: GF100	
	Product number: 98126859	



Submittal Data



Materials:
 Pump housing: Cast iron
 Pump housing: ASTM A48-250B
 Impeller: Composite