

Submittal Data

PROJECT:	UNIT TAG:	QUANTITY:
REPRESENTATIVE: _____	TYPE OF SERVICE:	DATE: _____
ENGINEER:	SUBMITTED BY:	DATE:
CONTRACTOR:	APPROVED BY:	DATE:
	ORDER NO.:	DATE:

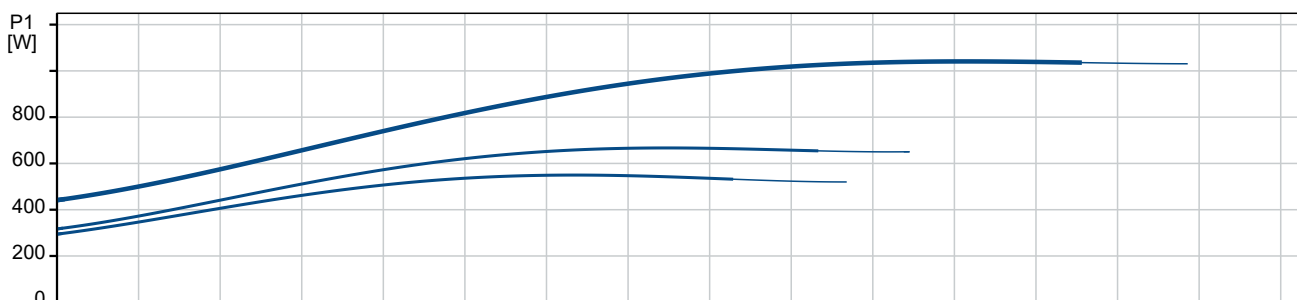
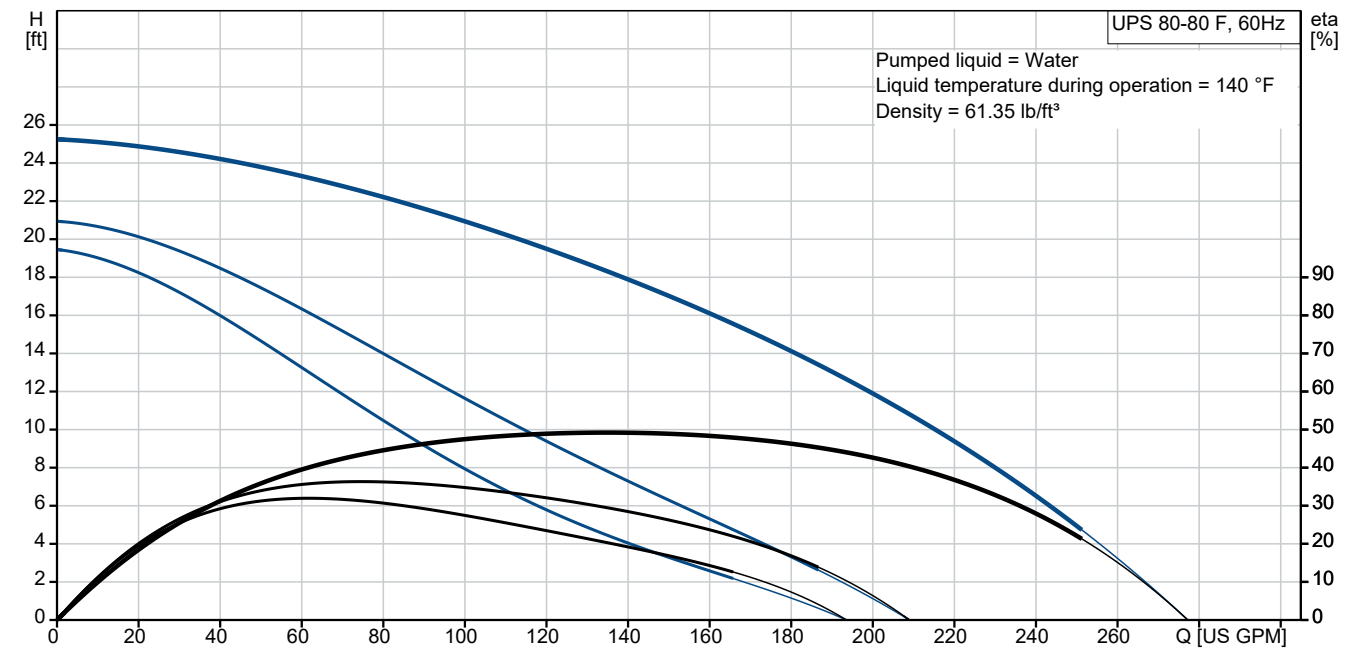


UPS 80-80 F

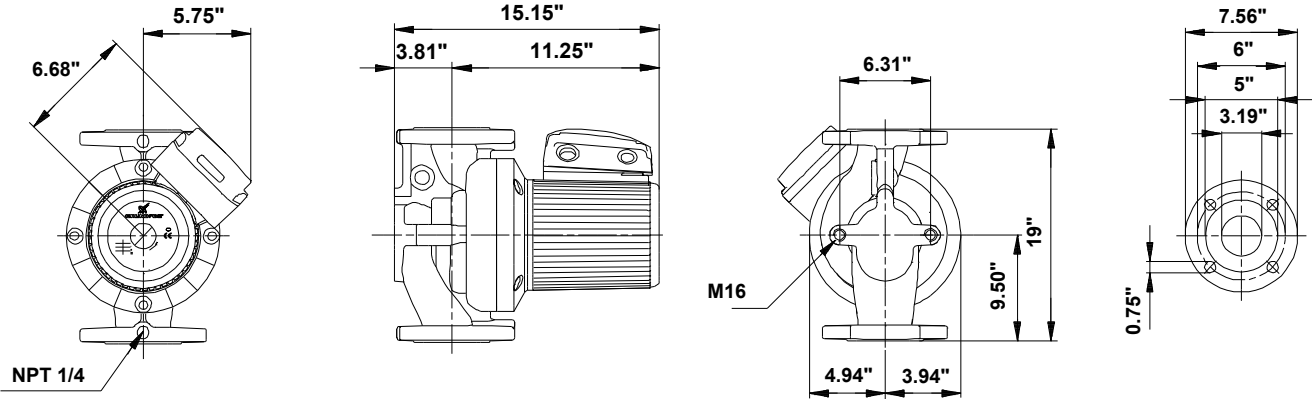
UPS is a three-speed circulator pump designed for heating and air-conditioning systems and is also used for central and district heating systems. The pump provides reliable and maintenance-free operation.

Note! Product picture may differ from actual product

Conditions of Service		Pump Data		Motor Data	
Liquid:	Water	Liquid temperature range:	14 .. 248 °F	Max. power input:	1050 W
Temperature:	140 °F	Maximum ambient temperature:	104 °F	Rated voltage:	208-230 V
Specific Gravity:	0.985	Pipe connection:	GF 80	Mains frequency:	60 Hz
		Product number:	96402908	Enclosure class:	X4D
				Thermal protection:	EXT.



Submittal Data



Materials:
 Pump housing: Cast iron
 Pump housing: ASTM 35 B - 40 B
 Impeller: Stainless steel
 Impeller: AISI 304
 Impeller: EN 1.4301

