

# Submittal Data

PROJECT:	UNIT TAG:	QUANTITY:
REPRESENTATIVE: _____	TYPE OF SERVICE:	DATE: _____
ENGINEER:	SUBMITTED BY:	DATE:
CONTRACTOR:	APPROVED BY:	DATE:
	ORDER NO.:	DATE:

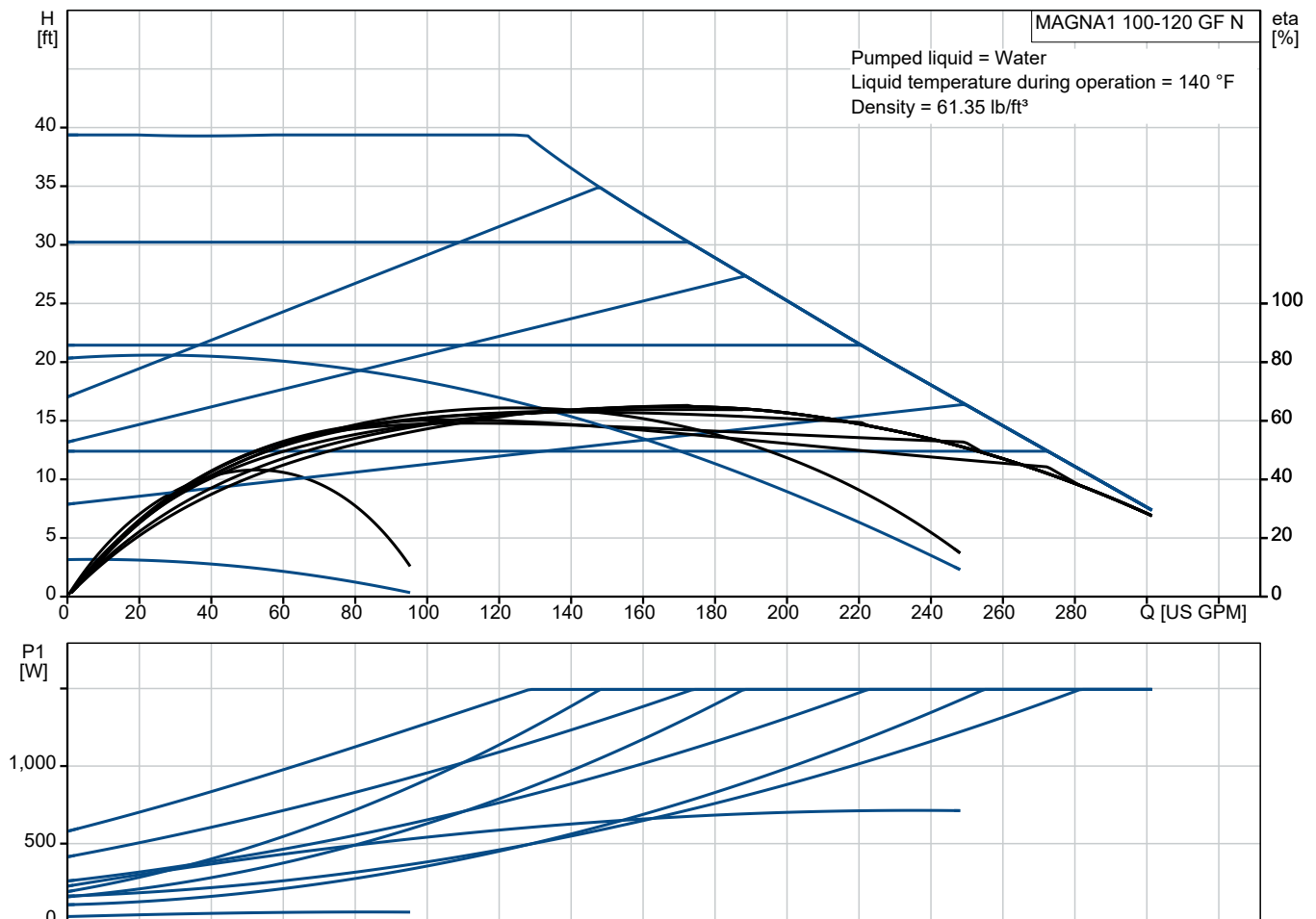


## MAGNA1 100-120 GF N

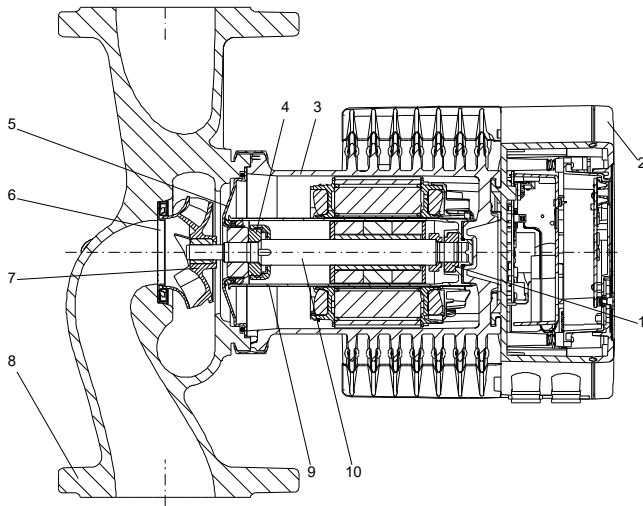
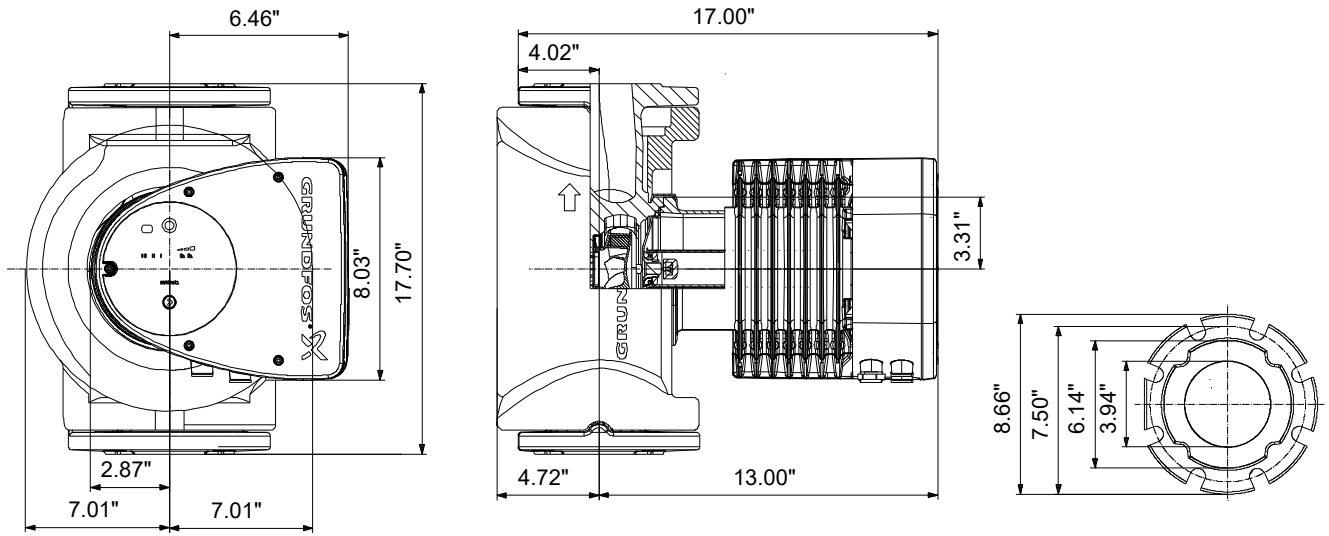
The Grundfos MAGNA1 N circulator pump is the stainless-steel variant of the MAGNA1 pump for applications where the liquid requires this, for example in domestic hot-water applications.

Note! Product picture may differ from actual product

Conditions of Service		Pump Data		Motor Data	
Liquid:	Water	Liquid temperature range:	14 .. 230 °F	Mains frequency:	60 Hz
Temperature:	140 °F	Maximum ambient temperature:	104 °F	Enclosure class:	X4D
Specific Gravity:	0.985	Flange standard:	GF		
		Pipe connection:	GF100		
		Product number:	98126861		



# Submittal Data



**Materials:**

- Pump housing: Stainless steel
- Pump housing: ASTM A351-CF8
- Impeller: Composite